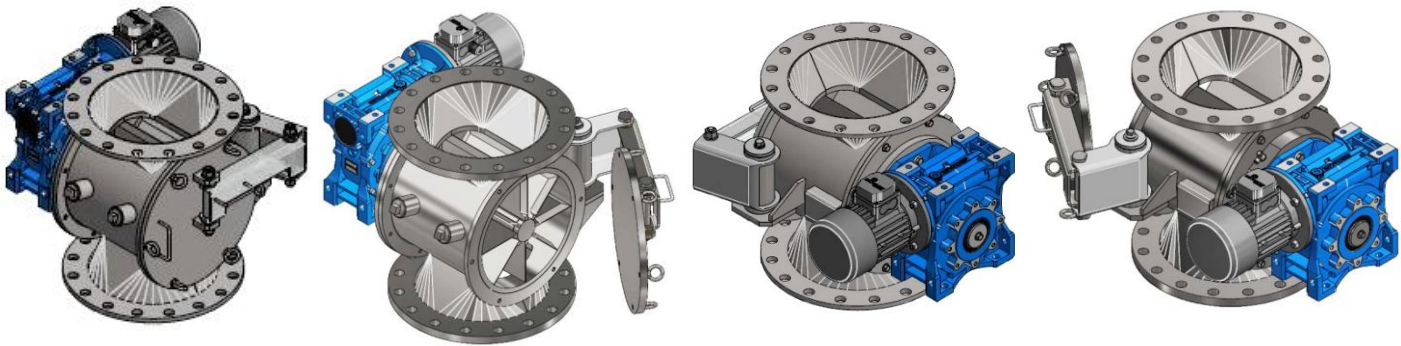
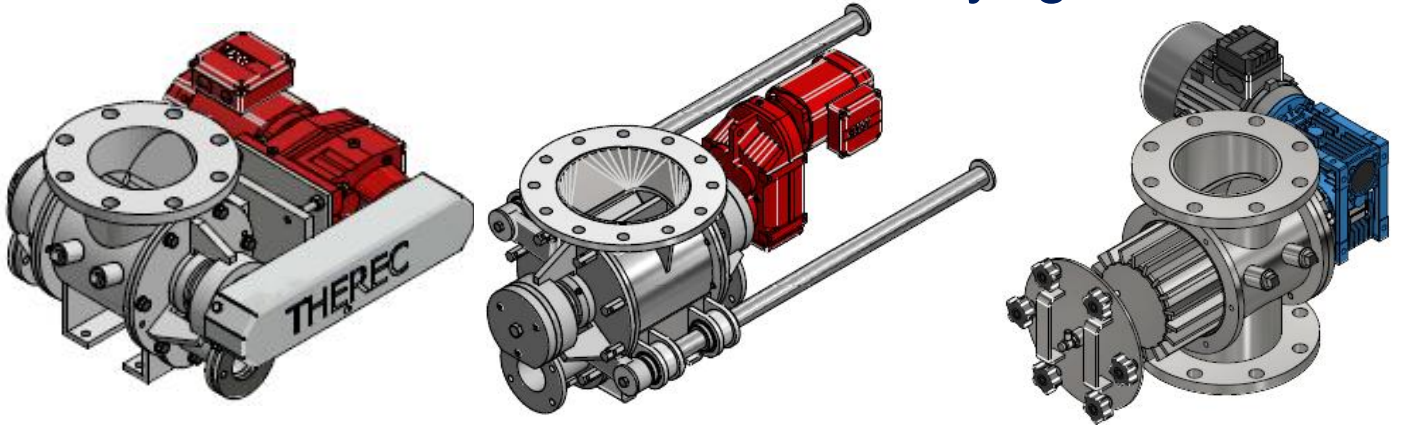


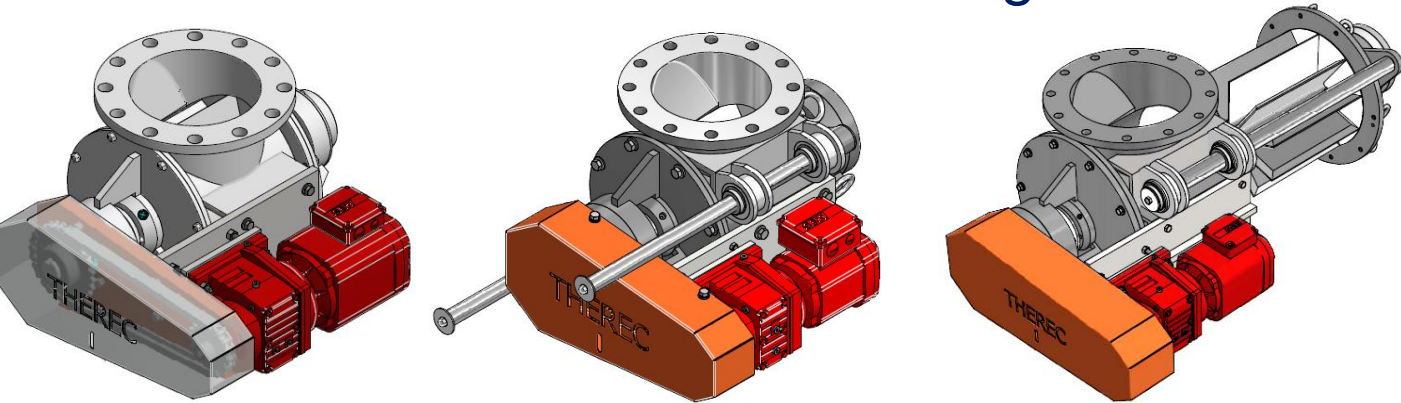
THEREC DRY BULK MATERIAL HANDLING VALVES



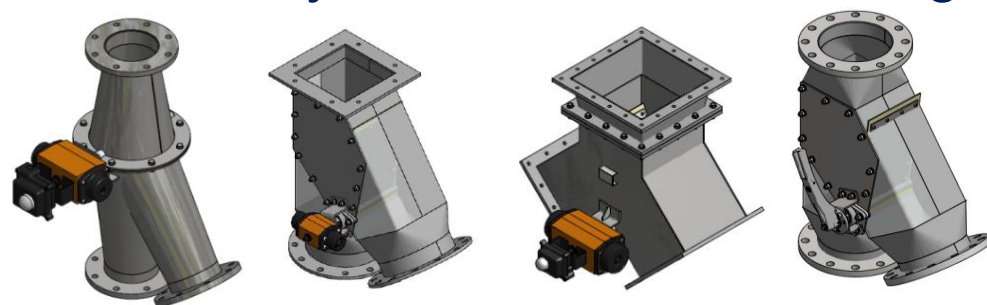
Solid Material Pneumatic Conveying Valves



Powder & Pellet Material Handling Valves



Dry Bulk Material Processing Valves



Made in Thailand



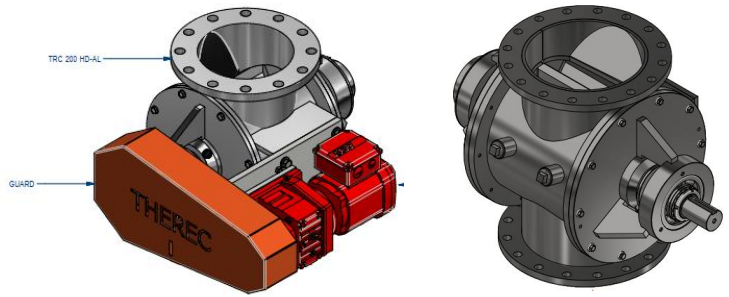
www.thereccorp.com

Bulk Material Handling & Air-lock Rotary Valve

ROTARY VALVE TRC / HEAVY DUTY VALVE TYPE / (HD)

TRC - HD Series

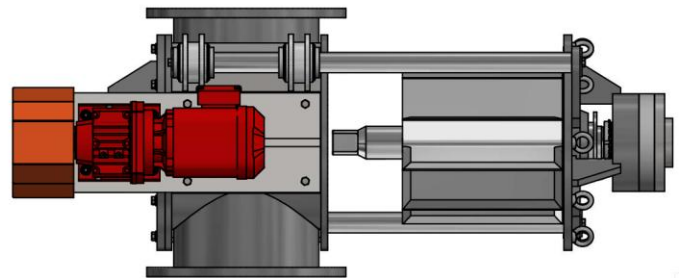
Out board bearing drop through, Powder & Pellet handling rotary valve for deep vacuum & high pressurized pneumatic conveying system
Vacuum down to - 1,000 mBar
Pressure up to + 1,000 mBar
Size 5,6,8,10,12,14,16,20 inches



ROTARY VALVE TRC / EASY CLEAN HEAVY DUTY DROP THROUGH SLIDE ARMS TYPE / (HD-SL)

TRC - HD SL Series

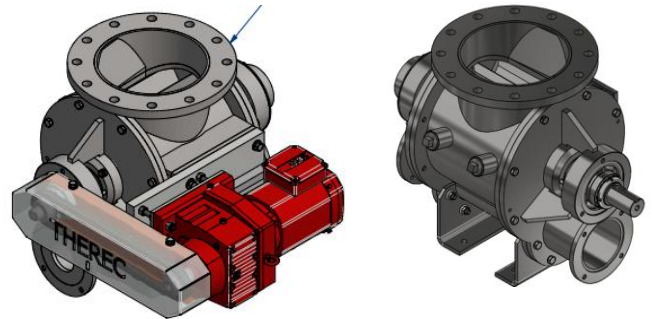
Out board bearing drop through, Slide arm, Quick detachable, Easy clean Type, Powder & Pellet handling rotary valve for high vacuum & high pressurized pneumatic conveying system
Vacuum down to - 1,000 mBar
Pressure up to + 1,000 mBar
Size 8,10,12,14 inches



ROTARY VALVE TRC / HEAVY DUTY BLOW THROUGH VALVE TYPE / (HD BL)

TRC - HD BL Series

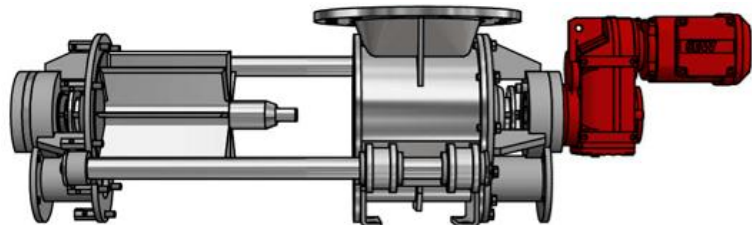
Out board bearing blow through, powder & pellet handling rotary valve for deep vacuum & high pressurized pneumatic conveying system
Vacuum down to - 1,000 mBar
Pressure up to + 1,000 mBar
Size 6,8,10,12,14,16,20 inches



ROTARY VALVE TRC / EASY CLEAN HEAVY DUTY BLOW THROUGH SLIDE ARMS TYPE / (HD-SL)

TRC - HD BL SL Series

Out board bearing blow through, Slide arm, Quick detachable, Easy clean Type, Powder & Pellet handling rotary valve for high vacuum & high pressurized pneumatic conveying system
Vacuum down to - 1,000 mBar
Pressure up to + 1,000 mBar
Size 8,10,12,14 inches

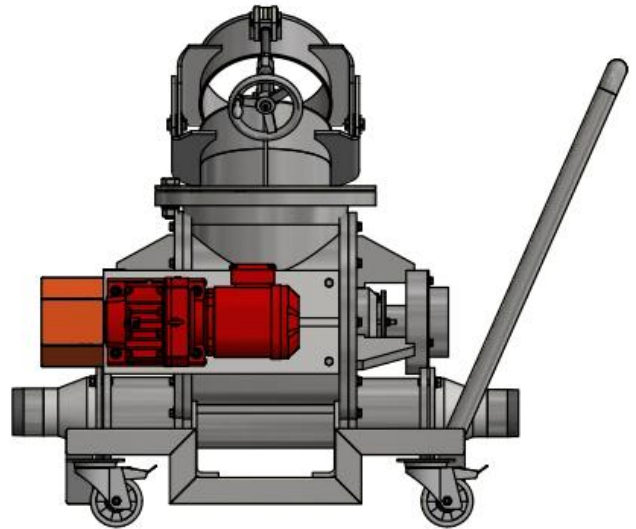
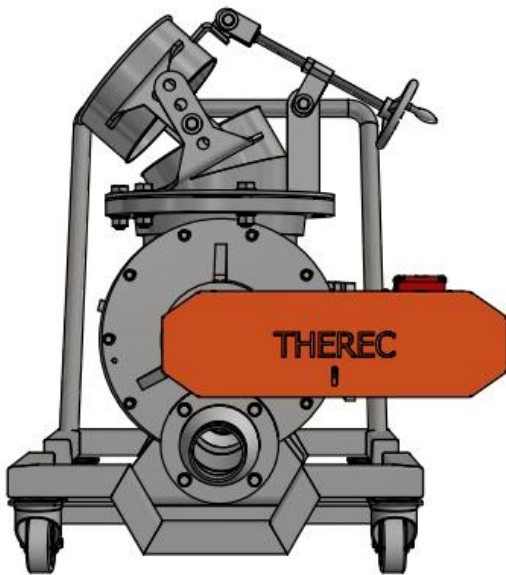
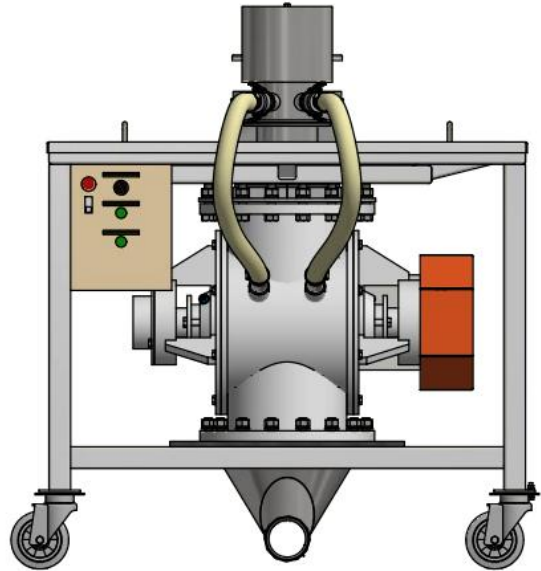
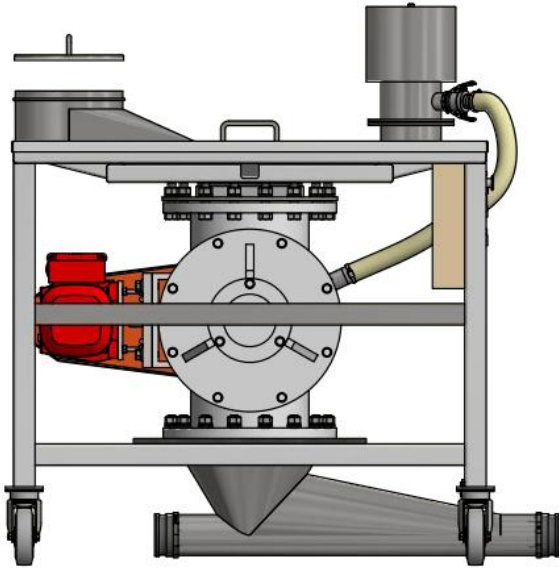


Bulk Material Handling & Air-lock Rotary Valve

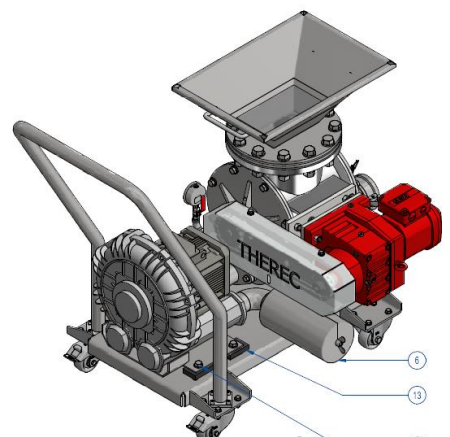
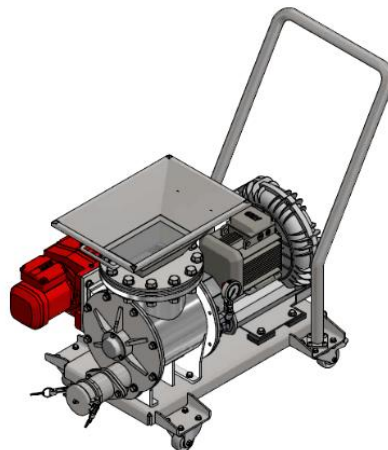
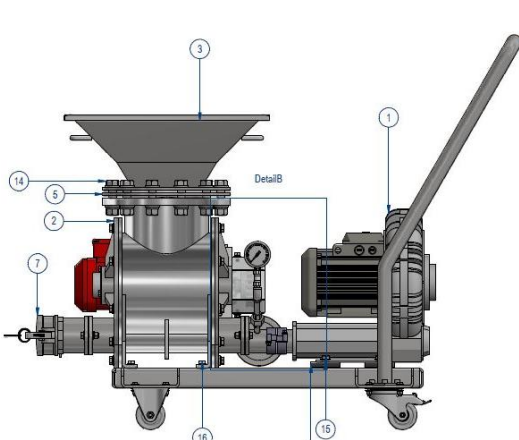
ROTARY VALVE TRC / WITH MOBILE FEATURE



www.therecorp.com



ROTARY VALVE TRC / WITH MOBILE FEATURE AND BLOWER



www.therecorp.com